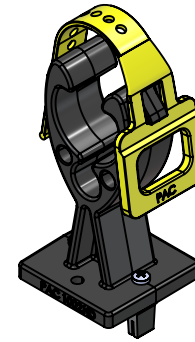
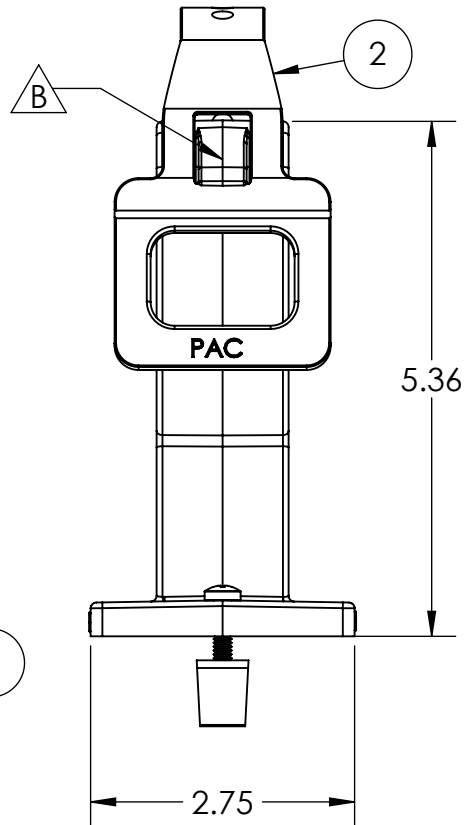
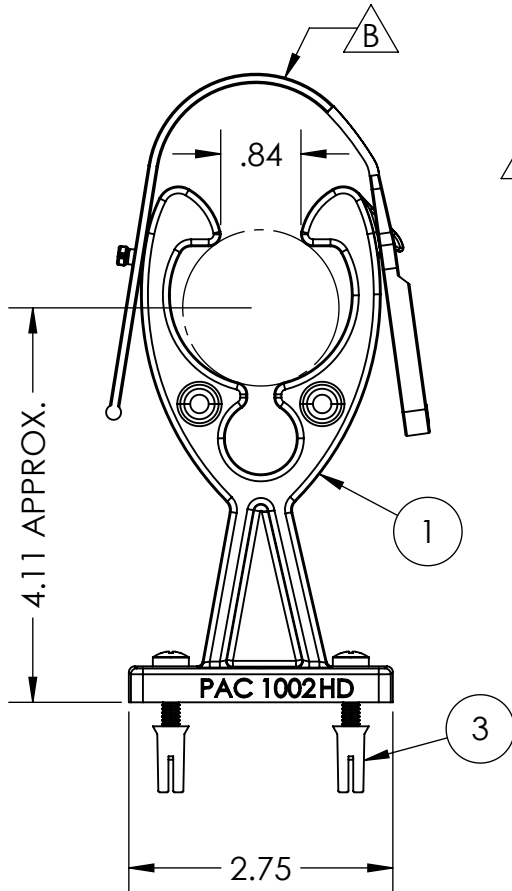
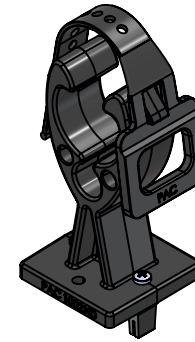


REVISIONS			
REV.	DESCRIPTION	APPROVED	DATE
A	CHANGE OF HARDWARE FROM 7028	JG	6/3/2019
B	HOOK FEATURE & SUPERSTRAP	KAS	3/16/2026



1002-HD-Y
YELLOW



1002-HD-B
BLACK



1002-HD-OR
ORANGE

ITEM NO.	PART NO.	DESCRIPTION	Rev	QTY.
1	1002-HDP	FLEXMOUNT HD BASE (TALL)	A	1
2	4017	SUPERSTRAP	0	1
3	7055	FASTENER KIT	0	1

NOTES:

GRIP RANGE: 1-3/4" - 2-3/8"

GRIP RANGE W/ STRAP:
1-1/2" - 2-3/8"

**PERFORMANCE
ADVANTAGE
COMPANY**



NOTE	NAME	DATE
INDUSTRY STANDARD CLASS TOLERANCES MAY BE APPLIED FOR SPECIFIC MANUFACTURING PROCESS.	DRAWN BY KAS	3/13/2026
	APPR. BY PAC	3/13/2026
STANDARD TOLERANCES	MFG. BY PAC	
.X= ±.03 .XX= ±.010 .XXX= ±.005 .XXXX= ±0.0005 ANGLES ±0.5° FRACTIONAL ±1/64	MFG. P/N	
THIRD ANGLE PROJECTION	CUST. ALIAS	
	MATERIAL	
	ALT. MATERIAL	
	COLOR	
	FINISH	

THE INFORMATION CONTAINED IN THIS DRAWING IS THE SOLE PROPERTY OF PERFORMANCE ADVANTAGE CO. ANY REPRODUCTION IN PART OR AS A WHOLE WITHOUT THE WRITTEN PERMISSION OF PERFORMANCE ADVANTAGE CO. IS PROHIBITED.

TITLE:
FLEXMOUNT HD (TALL)

PART NUMBER
1002-HD

REV
B

SCALE: 1:2 **SHEET 1 OF 1**