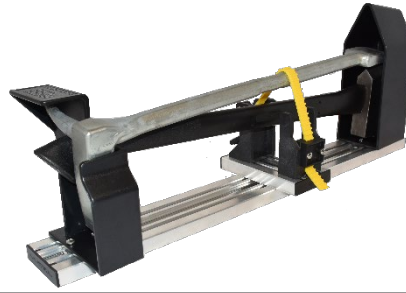


IRONSLOK HD P/N K5003-HD



The Ironslok HD provides fast, secure mounting for most irons (axe/Halligan sets)

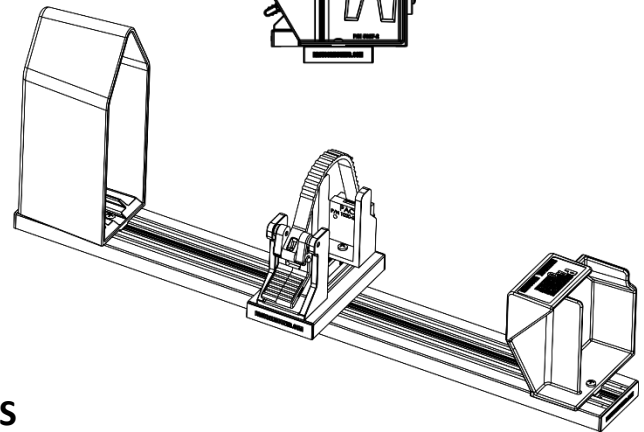
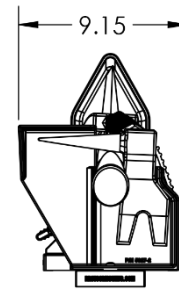
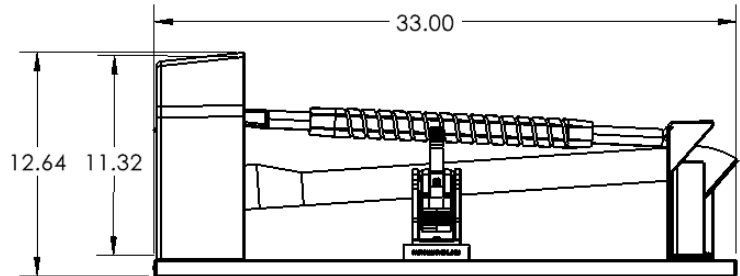
FEATURES

- The FastLok strap operates easily and can be adjusted for various equipment.
- Rugged injection molded and thermoformed components made from high quality materials
- Weather, UV resistant
- Non-conductive
- Can be mounted horizontally or vertically.
- Mounts to PAC tool boards and other flat surfaces. Stainless Steel Hardware included.
- Strap available in Yellow, Black and Orange
- Certified for in-cab use per NFPA Standards.

EQUIPMENT

- **Flat Head Axes**
WT: 6lb 8lb LG: 36" max. MAT'L: any
BIT W: 5-1/2" max. HD HT: 10-1/2" max.
- **Special Forcible Entry Tools**
 The PIG™ (all models)
- **Halligan Tools**
LG: 30" max. Wedge W: 2-3/4" max.

SIZE & DIMENSIONS

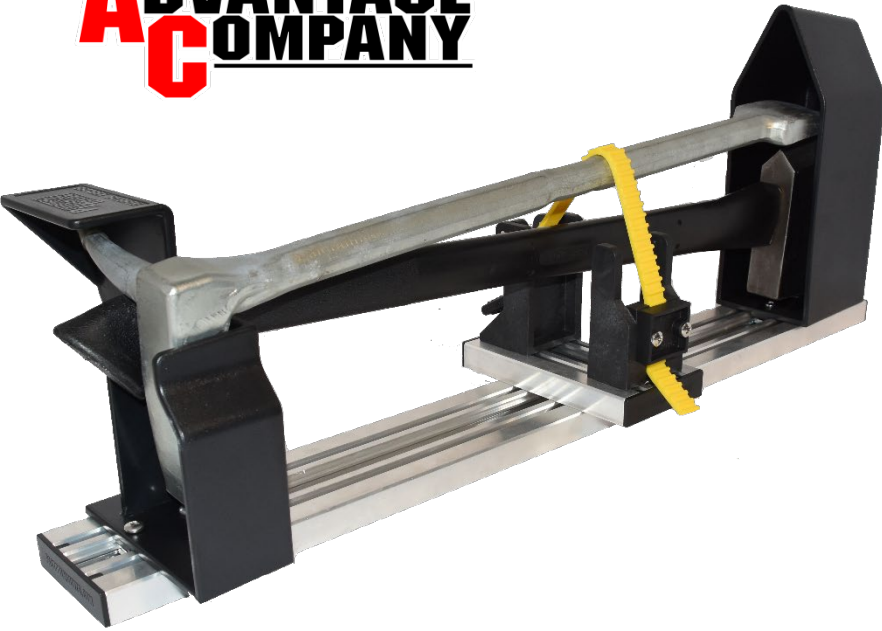


PROPERTIES

P/N	WT.	MAX LOAD	GRIP RANGE	TEMP RANGE	FLAME RESISTANCE	PAINTABLE				
K5003-HD	7.65lbs 3.5kg	10G	VARIABLE	-20 to 52 °C -4 to 125 °F	GOOD	YES				

Performance Advantage Company Lancaster, New York www.pactoolmounts.com 888-514-0083

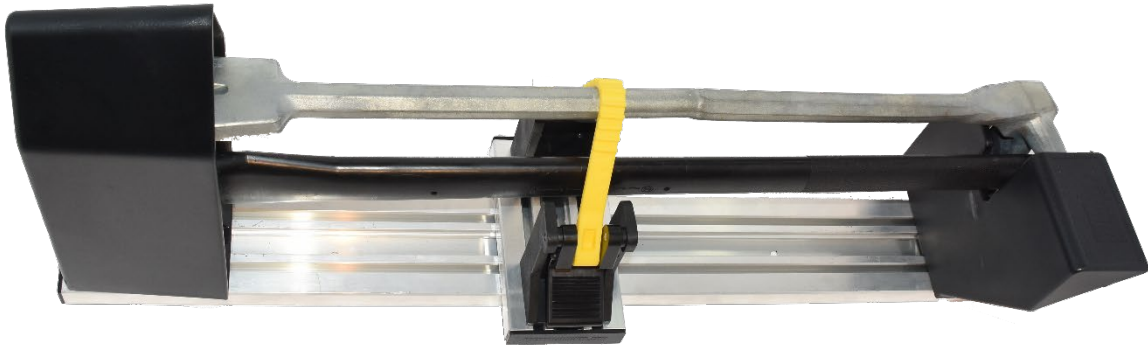
REFERENCE	QTY	REMARKS	PROJECT
			LOCATION
			BUYER
			DEALER
			BUILDER
			SUBMITTED BY:
			DATE:



TYPICAL SPECIFICATION

Mounting bracket shall be PAC PN K5003-HD
Bracket shall be made from tough, corrosion
free material. Hardware shall be stainless
steel.

Users shall be protected from conductivity.



**The IRONSLOK HD bracket is designed to include larger irons, including the PIG Axe!
Positive locking with high strength lock strap.**

- Ironslok components are molded from high quality materials
- Durable and secure
- Can be mounted horizontally or vertically

